



RS-380SH



OUTPUT: 0.9W-40W (APPROX)

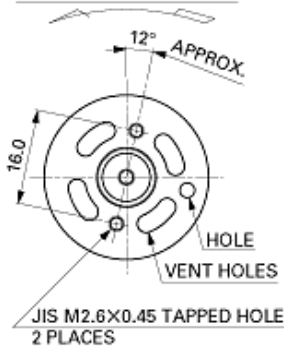
WEIGHT: 71g (APPROX)

Typical Applications : Home Appliances > Vacuum Cleaner

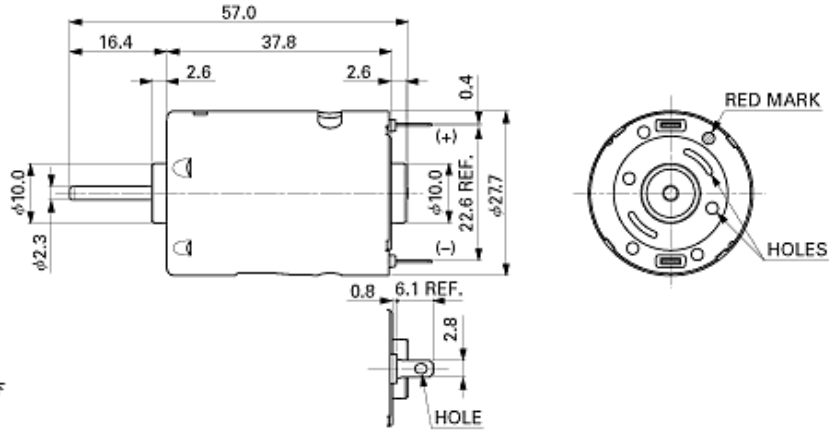
*By clicking the "MODEL", you can display the Performance Chart Simulation.

MODEL	OPERATING RANGE	VOLTAGE			NO LOAD			AT MAXIMUM EFFICIENCY			STALL		
		NOMINAL	SPEED	CURRENT	SPEED	CURRENT	TORQUE	OUTPUT	TORQUE	CURRENT			
											V	r/min	A
RS-380SH	4045	3 - 9	7.2	16200	0.50	14060	3.29	10.9	111	16.0	82.3	839	21.6
	12300	12 - 30	24	8000	0.070	6540	0.31	6.27	63.9	4.29	34.3	350	1.40

DIRECTION OF ROTATION



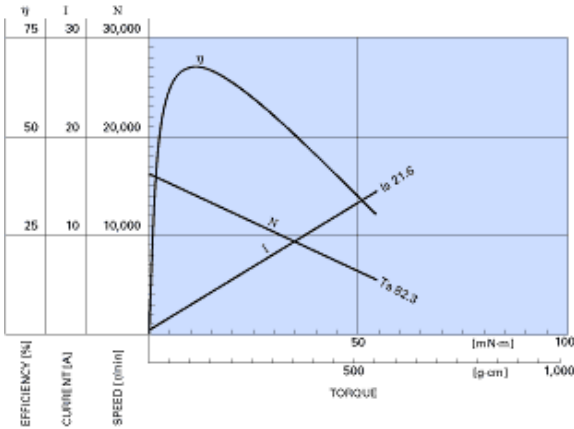
取付けネジの長さはモータケース面より4.0以下
Usable machine screw length 4.0 max. from motor mounting surface.



UNIT: MILLIMETERS

RS-380SH-4045

7.2V



RS-380SH-12300

24.0V

